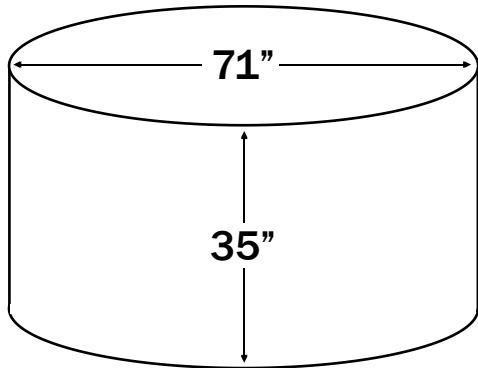
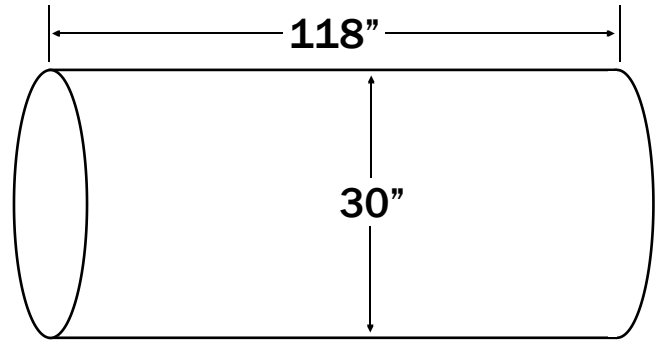


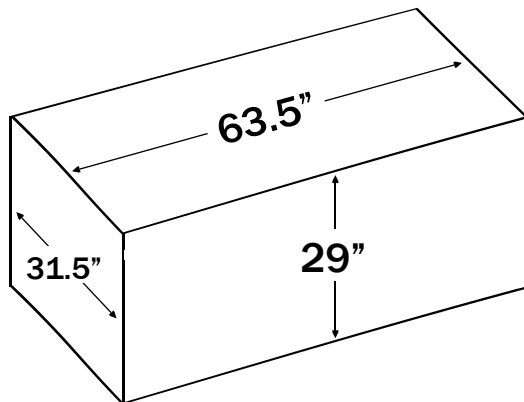
GOT BIG?



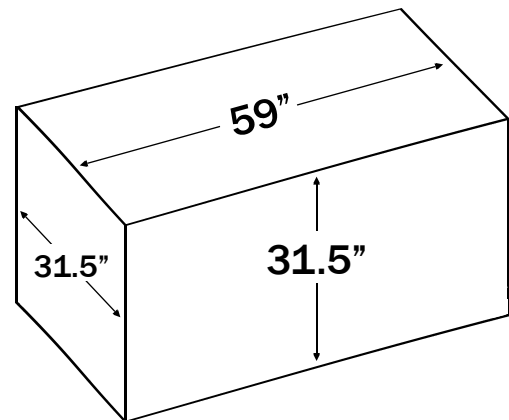
CNC VTL



CNC LATHE



CNC VERTICAL MILL



CNC HORIZONTAL MILL

Small to large, one to ten thousand...or more. We can solve your problems and meet your delivery needs. Kan Ban? Bring it on.

We can do small, but at Main Tool...

WE LIKE IT BIG!



**MAIN TOOL
& MANUFACTURING Co., INC.**
7850 BEECH STREET NE • FRIDLEY, MN 55432
763-571-1772 • FAX 763-571-3738
WWW.MAINTOOL.COM